

# Omnia ULI

## Universal and floor installation

- Electric saving equal to 50% compared to a fancoil with 3-speed motor.
- Fully silent functioning
- Ideal for residential or office solutions



### DESCRIPTION

Fan coils with inverter technology for heating, cooling, and dehumidifying. Equipped with a state of the art ventilation unit with continuous modulation of the air flow rate, which allows for precise adaptation of the actual indoor ambient requirements without temperature oscillations, for increased comfort, also in terms of noise, and electrical savings.

It can be installed on 2-pipe systems and combined with any heat generator even at low temperatures. Choosing the optimal solution for any requirement is easy thanks to the various versions available and to the possibility of horizontal or vertical installation, depending on the version.

### VERSIONS

- C** Vertical installation, intake at base, electronic thermostat
- PC** Vertical installation, intake at base, electronic thermostat, Cold Plasma purifier
- S** Vertical and horizontal installation, intake at base, without commands

### FEATURES

#### Case

Protective metal cabinet with anti-corrosion polyester RAL 9003 paint, whereas the head with the air distribution grille is in RAL 7044 plastic.

#### Ventilation group

Comprised of a dual intake centrifugal fan that is particularly silent, statically and dynamically balanced and directly coupled to the motor shaft.

Brushless motor with continuous speed variation 0-100%.

The scroll that protects the fan can be extracted and inspected, for easy and effective cleaning.

#### Heat exchanger coil

With copper pipes and aluminium fins, the main coil has female gas water connections on the left side and the manifolds have air vents.

The coil is not suitable for use in corrosive atmosphere or in environments where aluminium may be subject to corrosion.

■ *The hydraulic connections can be inverted during installation.*

#### Condensate drip

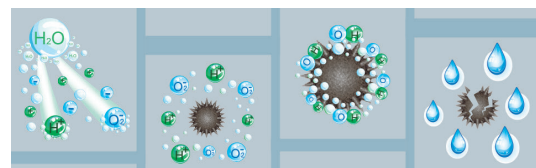
Provided standard in plastic and fixed to the interior structure; with external condensate discharge.

#### Air filter

The fan coils have, as standard, precharged electrostatic filters. These filters, thanks to their special execution, attracts and retains all suspended dust particles, thus guaranteeing pure breathable air to the whole family.

#### APC versions equipped with Coldplasma Air purifier.

The purifier is able to reduce pollutants, decomposing their molecules using electrical charges, causing the water molecules in the air to split into positive and negative ions. These ions neutralise the molecules in the gaseous pollutants, obtaining products normally present in clean air. The device is able to eliminate 90% of the bacteria. The result is clean, ionized air, free of foul odours.



## ACCESSORIES

**AER503:** Flush-mounting thermostat with backlit display and capacitive keypad, for controlling fan coils (either brushless or with asynchronous motors). In 2-pipe systems, the thermostat can control standard fan coils or those equipped with an electric heater, with air purifying devices (Cold Plasma and germicidal lamp), with a radiant plate or FCZ-D twin delivery (Dualjet). In 4-pipe systems, only standard fan coils. In addition, it can control systems with radiant panels or mixed (fan coil and radiant floor) systems.

**SA5:** air probe kit (L = 15 m) with probe-locking cable grommet.

**SW3:** Water probe (L = 2.5 m) for controlling the minimum and maximum and to allow automatic seasonal switching for electronic thermostats fitted with water side changeover.

**SW5:** water probe kit (L = 15m) with probe-holder connection point, fixing clip and probe-holder from heat exchanger.

**TX:** Wall-mounting thermostat for controlling either brushless fan coils or those with asynchronous motors. In 2-pipe systems, the thermostat can control standard fan coils or those equipped with an electric heater, with air purifying devices, radiant plate or FCZ-D twin delivery (Dualjet). In 4-pipe systems, only standard fan coils.

**VMF-E19I:** Thermostat for inverter unit to be fixed on the side of the fan coil, fitted as standard with an air and water probe.

**VMF-E2D:** User interface on the machine, to be combined with the VMF-E19 accessory.

**VMF-E4DX:** Wall-mounted user interface. Grey front panel PANTONE 425C (METAL).

**VMF-E4X:** Wall-mounted user interface. Light grey front panel PANTONE COOL GRAY 1C.

**AMP:** Wall mounting kit

**DSC:** Condensate drainage device.

**VCH:** 3-way motorised valve kit. The kit consists of a valve with its insulating shell, an actuator and the relative pipe fittings. It can be installed on fan coils with both right and left connections.

**VCHD:** 2-way motorised valve kit. The kit consists of a valve, an actuator and the relative pipe fittings. It can be installed on fan coils with both right and left connections.

**BC:** Condensate drip.

**GU:** Intake grid covers the front space between the ornamental feet and does not interfere with the filter.

**PCU:** Sheet metal panel closing the rear of the unit.

**ZU:** Pair of stylish and structural feet.

## ACCESSORIES COMPATIBILITY

Model	Ver	16	26	36
AER503 (1)	S	•	•	•
SA5 (2)	S	•	•	•
SW3 (2)	C,PC,S	•	•	•
SW5 (2)	S	•	•	•
TX (3)	S	•	•	•

(1) Only wall-mount installation

(2) Probe for AER503-TX thermostats, if fitted.

(3) Wall-mount installation

### VMF system

Model	Ver	16	26	36
VMF-E19I	S	•	•	•
VMF-E2D	S	•	•	•
VMF-E4DX	S	•	•	•
VMF-E4X	S	•	•	•

### Condensate drip

Model	Ver	16	26	36
BC10 (1)	C,PC,S	•	•	•
BC20 (2)	C,PC,S	•	•	•

(1) For vertical installation.

(2) For horizontal installation.

### Condensate drainage

Model	Ver	16	26	36
DSC5 (1)	C,PC	•	•	•

(1) The accessory cannot be fit if the accessory BC10 or BC20 is installed.

### 3 way valve kit

Model	Ver	16	26	36
VCH	C,PC	•	•	•

### 2 way valve kit

Model	Ver	16	26	36
VCHD	C,PC	•	•	•

### Wall mounting kit

Model	Ver	16	26	36
AMP10	C,PC	•	•	•

### Pair of stylish structural feet

Model	Ver	16	26	36
ZU	C,PC,S	•	•	•

## Configuration

Field	Description
1,2,3	ULI
4,5	Size 16, 26, 36
6	Version
C	Vertical installation, intake at base, electronic thermostat
PC	Vertical installation, intake at base, electronic thermostat, Cold Plasma purifier
S	Vertical and horizontal installation, intake at base, without commands

## PERFORMANCE SPECIFICATIONS

### 2-pipe

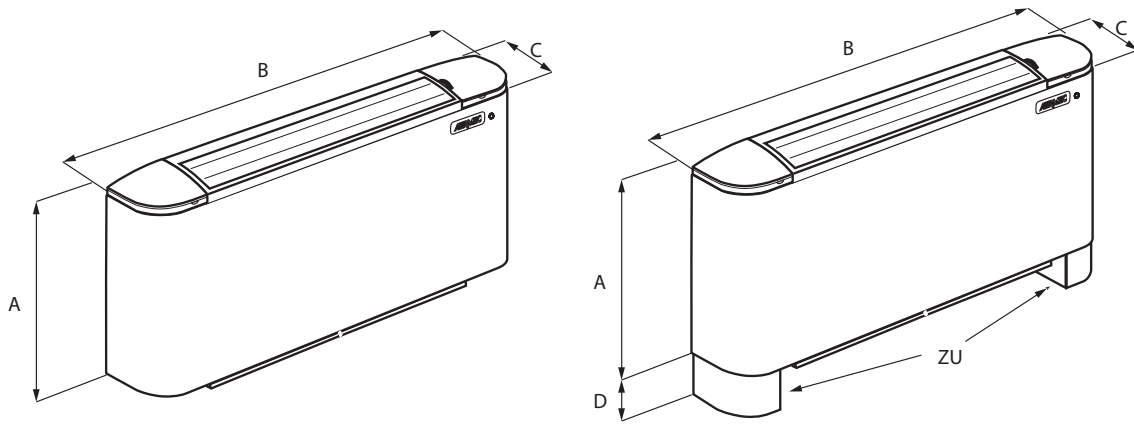
	ULI16			ULI26			ULI36			
	1	2	3	1	2	3	1	2	3	
	L	M	H	L	M	H	L	M	H	
Heating performance 70 °C / 60 °C (1)										
Heating capacity	kW	1,54	2,12	2,91	2,89	3,83	4,62	3,53	4,87	5,94
Water flow rate system side	l/h	135	186	255	254	336	405	310	427	521
Pressure drop system side	kPa	1	2	4	5	8	11	3	5	7
Heating performance 45 °C / 40 °C (2)										
Heating capacity	kW	0,76	1,05	1,44	1,44	1,90	2,29	1,75	2,42	2,95
Water flow rate system side	l/h	133	183	251	249	331	399	305	420	513
Pressure drop system side	kPa	2	2	2	5	8	11	7	12	18
Cooling performance 7 °C / 12 °C (3)										
Cooling capacity	kW	0,69	0,87	1,17	1,26	1,65	1,99	1,63	2,26	2,79
Sensible cooling capacity	kW	0,52	0,69	0,96	0,97	1,30	1,61	1,13	1,59	2,00
Water flow rate system side	l/h	122	153	206	220	289	349	286	394	487
Pressure drop system side	kPa	2	3	5	6	8	11	7	13	19
Fan										
Type	type	Centrifugal								
Fan motor	type	Inverter								
Number	no.	1			2			2		
Air flow rate	m <sup>3</sup> /h	110	160	240	190	270	350	240	350	460
Input power	W	23	25	32	24	27	35	30	35	42
Signal 0-10V	%	38	56	83	49	70	90	48	70	90
Sound power level	dB(A)	34,0	43,0	48,0	35,0	43,0	48,0	34,0	43,0	50,0
Sound pressure level (10 m)	dB(A)	26,0	35,0	40,0	27,0	35,0	40,0	26,0	33,0	42,0
Water coil										
Water content	l	0,40			0,60			0,80		
Diameter hydraulic fittings										
Main coil	∅	1/2"								
Power supply										
Power supply		230V~50Hz								

(1) Room air temperature 20 °C d.b.; Water (in/out) 70 °C/60 °C

(2) Room air temperature 20 °C d.b.; Water (in/out) 45 °C/40 °C; EUROVENT

(3) Room air temperature 27 °C d.b./19 °C w.b.; Water (in/out) 7 °C/12 °C; EUROVENT

## DIMENSIONS



Size			16	26	36
<b>Dimensions and weights</b>					
A	C,PC,S	mm	513	513	513
B	C,PC,S	mm	750	980	1200
C	C,PC,S	mm	173	173	173
D	C,PC,S	mm	93	93	93
Empty weight	C,PC,S	kg	14	16	20

Aermec reserves the right to make any modifications deemed necessary.  
All data is subject to change without notice. Aermec does not assume  
responsibility or liability for errors or omissions.

### Aermec S.p.A.

Via Roma, 996 - 37040 Bevilacqua (VR) - Italia  
Tel. 0442633111 - Telefax 044293577  
[www.aermec.com](http://www.aermec.com)