

# FCZ

## Fan coil for universal and floor installation

Cooling capacity 0,65 ÷ 7,62 kW  
Heating capacity 1,45 ÷ 17,02 kW



- Very quiet
- Touch controller mounted on-board. allows remote control with smart devices



### DESCRIPTION

fan coil can be installed in any 2/4 pipe system and operates with any heat generator even at low temperatures, and thanks to varied versions and settings, it is easy to pick the ideal solution for any need.

### FEATURES

#### Case

Protective metal cabinet with anti-corrosion polyester RAL 9003 paint, whereas the head with the air distribution grille is in RAL 7047 plastic.

**Depending on the version, the distribution grille may be adjustable.**

#### Ventilation group

Consisting of double suction centrifugal fans that are particularly silent, statically and dynamically balanced, and directly coupled with the motor shaft.

The motor is wired for single phase and has three speeds, with capacitor. The motor is fitted on sealed for life bearings and is secured on anti-vibration and self-lubricating mountings.

Extractable shrouds for easy, effective cleaning

#### Heat exchanger coil

With copper pipes and aluminium fins, the standard or oversized main coil and the possible secondary coil have female gas water connections on the left side and the manifolds have air vents.

The coil is not suitable for use in corrosive atmosphere or in environments where aluminium may be subject to corrosion.

**Reversibility of the water connections during installation only for units with a standard or boosted main coil, or standard with BV accessory. Not reversible in all other configurations. In any case, units with the coil water connections on the right are available at the time of ordering.**

#### Condensate drip

Provided standard in plastic and fixed to the interior structure; with external condensate discharge.

#### Air filter

Air filter class Coarse 25% for all versions easy to pull out and clean.

### In the APC version, air purification is guaranteed by the Cold Plasma purifier.

The purifier is able to reduce pollutants, decomposing their molecules using electrical charges, causing the water molecules in the air to split into positive and negative ions. These ions neutralise the molecules in the gaseous pollutants, obtaining products normally present in clean air. The device is able to eliminate 90% of the bacteria. The result is clean, ionized air, free of foul odours.

### VERSIONS

**A** High, with fixed air distribution grille and built-in command

**ACT** High, with air distribution grille and electronic thermostat

**AF** High, without built-in command but with front intake

**APC** High, with air distribution grille, electronic thermostat and Cold Plasma purifier

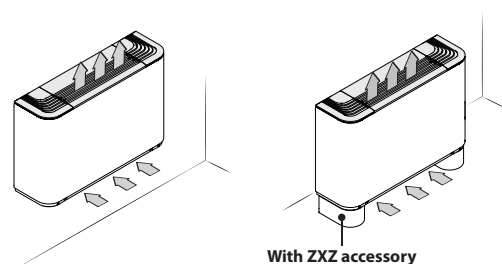
**AS** High, with air distribution grille and built-in command

**U** Universal, with adjustable air distribution grille but without built-in thermostat

**UA** Universal, with fixed air distribution grille but without built-in thermostat

**UF** Universal, with adjustable air distribution grille but without built-in thermostat and with front intake grille

### Versions with fixed grille (high cabinet)



FCZ\_A

— With built-in selector.

**FCZ\_AS**

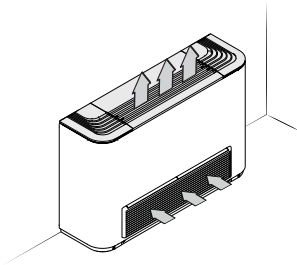
— Compatibility with VMF system.  
 — Without installed switch

**FCZ\_ACT**

— With electronic thermostat for 2-pipe systems only.

**FCZ\_APC**

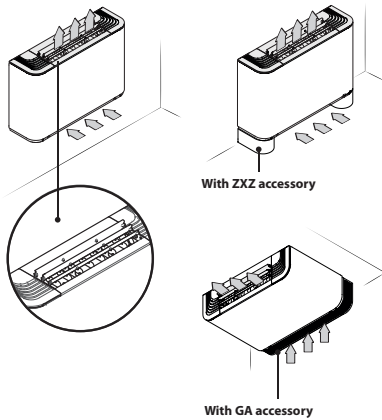
— With electronic thermostat for 2-pipe systems only.  
 — Cold Plasma purifier



**FCZ\_AF**

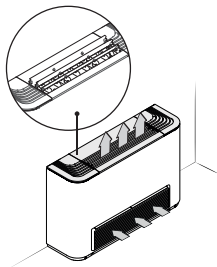
— Without installed switch  
 — Compatibility with VMF system.  
 — Front intake grille.

**Versions with adjustable and fixed grille (universal)**



**FCZ\_U**

— Compatibility with VMF system.  
 — Without installed switch  
 — Distribution grille with adjustable fins. Sizes 1, 2 and 3 have a single grille, whereas sizes 4, 5, 6, 7, 8, 9 and 10 have three grilles fully independent of each other. When all the fins have closed, the unit switches off.  
 — Vertical and horizontal installation for 2-pipe and 4-pipe systems.



**FCZ\_UF**

— Compatibility with VMF system.  
 — Without installed switch  
 — Air delivery grille with adjustable fins.  
 — Front intake grille.

**FCZ\_UA**

— Compatibility with VMF system.  
 — Without installed switch

— Air distribution grille with fixed fins.

— Vertical and horizontal installation for 2-pipe and 4-pipe systems.

**ThermApp**

In units with a **T-Touch-I** electronic thermostat and the **ThermApp** application, the operating mode can be set and the weekly timer programmed by simply resting the smart device on the fan coil. The graphic interface of the app also gives access to a lot more information such as the alarm list, the closest SAT, etc.

**Available for Android operating systems.**



**GUIDE TO SELECTING THE POSSIBLE CONFIGURATIONS**

Field	Description
1,2,3	<b>FCZ</b>
4	<b>Size</b> 1, 2, 3, 4, 5, 6, 7, 8, 9, 10
5	<b>Main coil</b>
0	Standard
5	Oversized
6	<b>Secondary coil</b>
0	Without coil
1	Standard
2	Oversized
7	<b>Version</b>
	<b>Only vertical installation.</b>
A	High, with fixed air distribution grille and built-in command
ACT	High, with air distribution grille and electronic thermostat
AF	High, without built-in command but with front intake
APC	High, with air distribution grille, electronic thermostat and Cold Plasma purifier
AS	Free standing without installed switch
	<b>Vertical and horizontal installation.</b>
U	Universal, with adjustable air distribution grille but without built-in thermostat
UA	Universal, with fixed air distribution grille but without built-in thermostat
UF	Universal, with adjustable air distribution grille but without built-in thermostat and with front intake grille

## SIZE AVAILABLE FOR VERSION

Size	100	101	102	150	200	201	202	250	300	301	302	350	400	401	402	450	500	501	502	550
Versions produced (by size)																				
Versions available (by size)	A,AS,U,UA	*	*	*	*	*	*	*	*	*	*	*	*	*	*	*	*	*	*	*
	ACT,APC	*	-	-	*	*	-	-	*	*	-	-	*	*	-	-	*	*	-	-
	AF,UF	*	-	-	*	*	-	-	*	*	-	-	*	*	-	-	*	*	-	-

Size	600	601	602	650	700	701	702	750	800	801	802	850	900	901	950	1000	1001
Versions produced (by size)																	
Versions available (by size)	A,AS,U,UA	*	*	*	*	*	*	*	*	*	*	*	*	*	*	*	*
	ACT,APC	*	-	-	*	*	-	-	*	*	-	-	*	*	-	*	*
	AF,UF	-	-	-	-	-	-	-	-	-	-	-	*	-	*	*	-

## ACCESSORIES

### Control panels

**AER503IR:** Flush-mounting thermostat with backlit display, capacitive keypad and infrared receiver, for controlling both brushless fan coils and those with an asynchronous motor. In 2-pipe systems, the thermostat can control standard fan coils or those equipped with an electric heater, with air purifying devices (Cold Plasma and germicidal lamp), with radiant plate or with FCZ-D twin delivery (Dualjet). In addition, it can control systems with radiant panels or mixed (fan coil and radiant floor) systems. Being equipped with an infrared receiver, it can, in turn, be controlled by the VMF-IR remote control.

**PX2Z:** On-board electromechanical switch.

**SA5:** air probe kit (L = 15 m) with probe-locking cable grommet.

**SIT3:** Thermostat Interface Card allowing the creation of a network of fan coils (max. 10) commanded by a central control panel (selector or thermostat). Commands the 3 fan speeds and must be installed on each fan coil within the network; receives the commands from the selector or the SIT5 card.

**SIT5:** Thermostat Interface Card allowing the creation of a network of fan coils (max. 10) commanded by a central control panel. Commands the 3 fan speeds and up to 2 valves (four pipe systems); sends the thermostat's commands to the fan coil network.

**SW3:** Water probe (L = 2.5 m) for controlling the minimum and maximum and to allow automatic seasonal switching for electronic thermostats fitted with water side changeover.

**SW5:** water probe kit (L = 15m) with probe-holder connection point, fixing clip and probe-holder from heat exchanger.

**T-TOUCH:** Touch control on board the machine, for controlling fan coils with asynchronous motors. In 2-pipe systems, it can control standard fan coils or those equipped with an electric heater, with air purifying devices or with FCZ-D twin delivery (Dualjet). In 4-pipe systems, only standard fan coils. The ThermApp application is also available for remote control with smart devices with the Android operating system.

**TX:** Wall-mounting thermostat for controlling either brushless fan coils or those with asynchronous motors. In 2-pipe systems, the thermostat can control standard fan coils or those equipped with an electric heater, with air purifying devices, radiant plate or FCZ-D twin delivery (Dualjet).

**TXB:** Wall-mounting thermostat for controlling either brushless fan coils or those with asynchronous motors. In 2-pipe systems, the thermostat can control standard fan coils or those equipped with an electric heater, with air purifying devices, radiant plate or FCZ-D twin delivery (Dualjet).

**WMT05:** Electronic thermostat with thermostated ventilation.

**WMT06:** Electronic thermostat with continuous ventilation.

**WMT10:** Electronic thermostat, white, with thermostated or continuous ventilation.

### VMF system

**SIT3Z:** Interface card that permits connecting the VMF-E19 thermostats to a fan coil with a high power motor.

**VMF-E0X:** Thermostat to be secured to the side of the fan coil, fitted as standard with an air probe and a water probe.

**VMF-E19:** Thermostat to be secured to the side of the fan coil, fitted as standard with an air probe and a water probe.

**VMF-E2Z:** User interface on the machine, to be combined with the VMF-E0X, VMF-E19 or VMF-E19I accessory.

**VMF-E3:** Wall mounted user interface, to be combined with accessories VMF-E19, VMF-E19I, VMF-E0X with grids GLF\_N/M and GLL\_N, can be controlled with VMF-IR control.

**VMF-E4DX:** Wall-mounted user interface. Grey front panel PANTONE 425C (METAL).

**VMF-E4X:** Wall-mounted user interface. Light grey front panel PANTONE COOL GRAY 1C.

**VMF-IR:** User interface compatible with the AER503IR thermostat and with all the grids of cassettes equipped with the infrared receiver compatible with the VMF system.

**VMF-SIT3:** Interface card that permits connecting the VMF-E19 thermostats to a fan coil with a high power motor.

**VMF-SW:** Water temperature probe.

**VMF-SW1:** Extra water probe to be used for 4-pipe systems.

### Water valves

**VCZ\_X:** 3-way valve kit for single-coil fan coil, RH connections, for 4-pipe systems. With totally separate "heating" and "cooling" circuits. This kit consists of two 3-way insulated valves and four connections, complete with electrothermal actuators, insulating shells for the valves, and the relative hydraulic couplings. X4L version for fan coils with LH connections, and X4R for fan coils with RH connections. 230V~50Hz power supply.

**VCZ:** 3-way motorised valve kit. The kit consists of a valve with its insulating shell, an actuator and the relative pipe fittings. It can be installed on fan coils with both right and left connections.

**VCF44 - 45 - for the secondary coil:** The 3-way motorised valve kit for the secondary coil or an optional heat only coil. The kit consists of a valve with its insulating shell, actuator and relevant water fittings; it is suitable to be installed on the fan coils with right and left water connections.

**VCZD:** 2-way motorised valve kit. The kit consists of a valve, an actuator and the relative pipe fittings. It can be installed on fan coils with both right and left connections.

**VJP:** Control and balancing combination valve for 2 and 4 pipe systems to install outside the unit, supplied without fittings and hydraulic components. The valve, which can guarantee a constant water flow rate in the terminal, within its operating range.

**VDP:** Combined adjustment and balancing valve, for 2 and 4 pipe systems to be installed outside the unit. It is comprised of a valve body without nipples with Ø 3/4" M water connections, a 230 V powered actuator with On-Off function and a 5 m power supply cable. The valve is supplied without connections or hydraulic components.

### (Heating only) additional coil

**BV:** Single row hot water heat exchanger.

**RX:** Armoured electric coil with safety thermostat.

### Installation accessories

**PCZ:** Sheet metal panel closing the rear of the unit.

**GA:** Lower intake grille for encapsulated fan coils. Can also be used in wall-mounted or floor installations, the FKIT accessory is needed only in the case of floor installation.

**FIKIT:** Metal supports for vertical installation of the GA grille.

**DSCZ4:** Condensate drainage device.

**BCZ:** Condensate drip.

**AMP:** Wall mounting kit

## ACCESSORIES COMPATIBILITY

### Control panels

Model	Ver	100	101	102	150	200	201	202	250
AERS03IR (1)	AF,UF	*			*	*			*
	AS,U,UA	*	*	*	*	*	*	*	*
PX2Z	AF,UF	*			*	*			*
	AS,U	*	*	*	*	*	*	*	*
SA5 (2)	AF,UF	*			*	*			*
	AS,U,UA	*	*	*	*	*	*	*	*
SIT3 (3)	AS,U,UA	*	*	*	*	*	*	*	*
SIT5 (4)	AS,U,UA	*	*	*	*	*	*	*	*
SW3 (2)	AF,AS,UF	*			*	*			*
	U,UA	*	*	*	*	*	*	*	*
SW5 (2)	AF,UF	*			*	*			*
	AS,U,UA	*	*	*	*	*	*	*	*
T-TOUCH	AF,UF	*			*	*			*
	AS,U	*	*	*	*	*	*	*	*
TX (1)	AF,UF	*			*	*			*
	AS,U,UA	*	*	*	*	*	*	*	*
TXB (5)	AF,UF	*			*	*			*
	AS,U,UA	*	*	*	*	*	*	*	*
WMT05	AF,AS,U,UA,UF	*			*	*			*
WMT06	AF,UF	*			*	*			*
	AS,U	*	*	*	*	*	*	*	*
WMT10	AF,UF	*			*	*			*
	AS,U,UA	*	*	*	*	*	*	*	*

Model	Ver	300	301	302	350	400	401	402	450
AERS03IR (1)	AF,UF	*			*	*			*
	AS,U,UA	*	*	*	*	*	*	*	*
PX2Z	AF,UF	*			*	*			*
	AS,U	*	*	*	*	*	*	*	*
SA5 (2)	AF,UF	*			*	*			*
	AS,U,UA	*	*	*	*	*	*	*	*
SIT3 (3)	AS,U,UA	*	*	*	*	*	*	*	*
SIT5 (4)	AS,U,UA	*	*	*	*	*	*	*	*
SW3 (2)	AF,AS,UF	*			*	*			*
	U,UA	*	*	*	*	*	*	*	*
SW5 (2)	AF,UF	*			*	*			*
	AS,U,UA	*	*	*	*	*	*	*	*
T-TOUCH	AF,UF	*			*	*			*
	AS,U	*	*	*	*	*	*	*	*
TX (1)	AF,UF	*			*	*			*
	AS,U,UA	*	*	*	*	*	*	*	*
TXB (5)	AF,UF	*			*	*			*
	AS,U,UA	*	*	*	*	*	*	*	*
WMT05	AF,AS,U,UA,UF	*			*	*			*
WMT06	AF,UF	*			*	*			*
	AS,U	*	*	*	*	*	*	*	*
WMT10	AF,UF	*			*	*			*
	AS,U,UA	*	*	*	*	*	*	*	*

Model	Ver	500	501	502	550	600	601	602	650
AERS03IR (1)	AF,UF	*			*	*			*
	AS,U,UA	*	*	*	*	*	*	*	*
PX2Z	AF,UF	*			*	*			*
	AS,U	*	*	*	*	*	*	*	*
SA5 (2)	AF,UF	*			*	*			*
	AS,U,UA	*	*	*	*	*	*	*	*
SIT3 (3)	AS,U,UA	*	*	*	*	*	*	*	*
SIT5 (4)	AS,U,UA	*	*	*	*	*	*	*	*
SW3 (2)	AF,UF	*			*	*			*
	AS	*			*	*	*	*	*
SW5 (2)	U,UA	*	*	*	*	*	*	*	*
	AF,UF	*			*	*			*
T-TOUCH	AS,U,UA	*	*	*	*	*	*	*	*
	AF,UF	*			*	*			*
TX (1)	AS,U	*	*	*	*	*	*	*	*
	AF,UF	*			*	*			*
TXB (5)	AS,U,UA	*	*	*	*	*	*	*	*
	AF,UF	*			*	*			*
TXB (5)	AS,U,UA	*	*	*	*	*	*	*	*
	AF,UF	*			*	*			*

Model	Ver	500	501	502	550	600	601	602	650
WMT05	AF,UF	.			.				
	AS,U,UA	.			.	.			.
WMT06	AF,UF	.			.				
	AS,U	.	.	.	.	.	.	.	.
WMT10	AF,UF	.			.				
	AS,U,UA	.	.	.	.	.	.	.	.

Model	Ver	700	701	702	750	800	801	802	850
AER503IR (1)	AS,U,UA	.	.	.	.	.	.	.	.
PX2Z	AS,U	.	.	.	.	.	.	.	.
SA5 (2)	AS,U,UA	.	.	.	.	.	.	.	.
SIT3 (3)	AS,U,UA	.	.	.	.	.	.	.	.
SIT5 (4)	AS,U,UA	.	.	.	.	.	.	.	.
SW3 (2)	AS,U,UA	.	.	.	.	.	.	.	.
SWS (2)	AS,U,UA	.	.	.	.	.	.	.	.
T-TOUCH	AS,U	.	.	.	.	.	.	.	.
TX (1)	AS,U,UA	.	.	.	.	.	.	.	.
TXB (5)	AS,U,UA	.	.	.	.	.	.	.	.
WMT05	AS,U,UA	.			.	.			.
WMT06	AS,U	.	.	.	.	.	.	.	.
WMT10	AS,U,UA	.	.	.	.	.	.	.	.

Model	Ver	900	901	950	1000	1001
AER503IR (1)	AF,UF			.	.	
	AS,U,UA	.	.	.	.	.
PX2Z	AF,UF				.	
	AS,U	.	.	.	.	.
SA5 (2)	AF,UF			.	.	
	AS,U,UA	.	.	.	.	.
SIT3 (3)	AF,UF				.	
	AS,U,UA	.	.	.	.	.
SIT5 (4)	AF,UF				.	
	AS,U,UA	.	.	.	.	.
SW3 (2)	AF,UF			.	.	
	AS	.	.	.	.	
	U,UA	.	.	.	.	.
SWS (2)	AF,UF			.	.	
	AS,U,UA	.	.	.	.	.
T-TOUCH	AF,UF	.		.	.	
	AS,U	.	.	.	.	.
TX (1)	AF,UF			.	.	
	AS,U,UA	.	.	.	.	.
TXB (5)	AF,UF			.	.	
	AS,U,UA	.	.	.	.	.
WMT05	AF,AS,U,UA,UF	.		.	.	
WMT06	AF,UF	.		.	.	
	AS,U	.	.	.	.	.
WMT10	AF,UF	.		.	.	
	AS,U,UA	.	.	.	.	.

- (1) Wall-mount installation.  
(2) Probe for AER503IR-TX thermostats, if fitted.  
(3) Cards for AER503IR-TX thermostats, if present, to be installed if the unit absorption exceeds 0,7 Ampere.  
(4) Probe for AER503IR-TX thermostats, if fitted.  
(5) Installation on the fan coil.

### VMF system

For more information about VMF system, refer to the dedicated documentation.

#### VMF system

Model	Ver	100	101	102	150	200	201	202	250	300	301
VMF-E0X (1)	AF,UF	.			.	.			.	.	
	AS,U,UA	.	.	.	.	.	.	.	.	.	.
VMF-E19	AF,UF	.			.	.			.	.	
	AS,U,UA	.	.	.	.	.	.	.	.	.	.
VMF-E2Z	AF,UF	.			.	.			.	.	
	AS,U,UA	.	.	.	.	.	.	.	.	.	.
VMF-E3	AF,UF	.			.	.			.	.	
	U,UA	.	.	.	.	.	.	.	.	.	.
VMF-E4DX	AF,UF	.			.	.			.	.	
	AS,U,UA	.	.	.	.	.	.	.	.	.	.
VMF-E4X	AF,UF	.			.	.			.	.	
	AS,U,UA	.	.	.	.	.	.	.	.	.	.

Model	Ver	100	101	102	150	200	201	202	250	300	301
VMF-IR	AF,UF	.			.	.			.	.	
	U,UA	.	.	.	.	.	.	.	.	.	.
VMF-SW	AF,UF	.			.	.			.	.	
	AS,U	.	.	.	.	.	.	.	.	.	.
VMF-SW1	AF,UF	.			.	.			.	.	
	AS,U	.	.	.	.	.	.	.	.	.	.
Model	Ver	302	350	400	401	402	450	500	501	502	550
VMF-E0X (1)	AF,UF		.	.			.	.			.
	AS,U,UA	.	.	.	.	.	.	.	.	.	.
VMF-E19	AF,UF		.	.			.	.			.
	AS,U,UA	.	.	.	.	.	.	.	.	.	.
VMF-E2Z	AF,UF		.	.			.	.			.
	AS,U,UA	.	.	.	.	.	.	.	.	.	.
VMF-E3	AF,UF		.	.			.	.			.
	U,UA	.	.	.	.	.	.	.	.	.	.
VMF-E4DX	AF,UF		.	.			.	.			.
	AS,U,UA	.	.	.	.	.	.	.	.	.	.
VMF-E4X	AF,UF		.	.			.	.			.
	AS,U,UA	.	.	.	.	.	.	.	.	.	.
VMF-IR	AF,UF		.	.			.	.			.
	U,UA	.	.	.	.	.	.	.	.	.	.
VMF-SW	AF,UF		.	.			.	.			.
	AS,U	.	.	.	.	.	.	.	.	.	.
VMF-SW1	AF,UF		.	.			.	.			.
	AS,U	.	.	.	.	.	.	.	.	.	.
Model	Ver	600	601	602	650	700	701	702	750	800	801
SIT3Z	AF,UF	.			.	.			.	.	
	U,UA	.	.	.	.	.	.	.	.	.	.
VMF-E0X (1)	AS,UA	.	.	.	.	.	.	.	.	.	.
	U		.	.			.	.			.
VMF-E19	AS,UA	.	.	.	.	.	.	.	.	.	.
	U		.	.			.	.			.
VMF-E2Z	AS,UA	.	.	.	.	.	.	.	.	.	.
	U		.	.			.	.			.
VMF-E3	AF,UF	.			.	.			.	.	
	U,UA	.	.	.	.	.	.	.	.	.	.
VMF-E4DX	AS,UA	.	.	.	.	.	.	.	.	.	.
	U		.	.			.	.			.
VMF-E4X	AS,UA	.	.	.	.	.	.	.	.	.	.
	U		.	.			.	.			.
VMF-IR	AF,UF	.			.	.			.	.	
	U,UA	.	.	.	.	.	.	.	.	.	.
VMF-SIT3 (2)	AF,UF	.			.	.			.	.	
	U,UA	.	.	.	.	.	.	.	.	.	.
VMF-SW	AS	.	.	.	.	.	.	.	.	.	.
	U		.	.			.	.			.
VMF-SW1	AS	.	.	.	.	.	.	.	.	.	.
	U		.	.			.	.			.
Model	Ver	802	850	900	901	950	1000	1001			
SIT3Z	AF,UF		.	.			.				
	U,UA	.	.	.	.	.	.	.			
VMF-E0X (1)	AF,UF		.	.			.				
	AS,UA	.	.	.	.	.	.	.			
VMF-E19	AF,UF		.	.			.				
	AS,UA	.	.	.	.	.	.	.			
VMF-E2Z	AF,UF		.	.			.				
	AS,UA	.	.	.	.	.	.	.			
VMF-E3	AF		.	.			.				
	U,UA	.	.	.	.	.	.	.			
VMF-E4DX	AF,UF		.	.			.				
	AS,UA	.	.	.	.	.	.	.			
VMF-E4X	AF,UF		.	.			.				
	AS,UA	.	.	.	.	.	.	.			
VMF-E4X	AF,UF		.	.			.				
	U	.	.	.	.	.	.	.			

Model	Ver	802	850	900	901	950	1000	1001
VMF-IR	AF		*	*		*		
	U,UA	*	*	*	*	*	*	*
	UF		*	*	*	*	*	*
VMF-SIT3 (2)	AF,UF		*	*		*		
	U,UA	*	*	*	*	*	*	*
	AF,UF		*	*		*		
VMF-SW	AS	*	*	*	*	*	*	*
	U	*	*	*	*	*	*	*
	AF,UF		*	*		*		
VMF-SW1	AS	*	*	*	*	*	*	*
	U	*	*	*	*	*	*	*
	AF,UF		*	*		*		

(1) Also the accessory VMF-SIT3 is mandatory if the unit exceeds 0.7 Amperes.

(2) For the selection, consult the documentation for the thermostat and the fan coil.

## Water valves

### 3 way valve kit

	100	101	102	150	200	201	202	250	300	301	302	350	400	401	402	450
Main coil	VCZ41	VCZ41	VCZ41	VCZ41	VCZ41	VCZ41	VCZ41	VCZ41	VCZ42	VCZ42	VCZ42	VCZ42	VCZ42	VCZ42	VCZ42	VCZ42
	VCZ4124	VCZ4124	VCZ4124	VCZ4124	VCZ4124	VCZ4124	VCZ4124	VCZ4124	VCZ4224	VCZ4224	VCZ4224	VCZ4224	VCZ4224	VCZ4224	VCZ4224	VCZ4224
Secondary coil		VCF44	VCF44			VCF44	VCF44			VCF44	VCF44			VCF44	VCF44	
		VCZ4424	VCZ4424			VCZ4424	VCZ4424			VCZ4424	VCZ4424			VCZ4424	VCZ4424	
Additional coil "BV"	VCF44				VCF44				VCF44				VCF44			
	VCZ4424				VCZ4424				VCZ4424				VCZ4424			

	500	501	502	550	600	601	602	650	700	701	702	750	800	801	802	850
Main coil	VCZ42	VCZ42	VCZ42	VCZ42	VCZ42	VCZ42	VCZ42	VCZ42	VCZ42	VCZ42	VCZ42	VCZ42	VCZ42	VCZ42	VCZ42	VCZ42
	VCZ4224	VCZ4224	VCZ4224	VCZ4224	VCZ4224	VCZ4224	VCZ4224	VCZ4224	VCZ4224	VCZ4224	VCZ4224	VCZ4224	VCZ4224	VCZ4224	VCZ4224	VCZ4224
Secondary coil		VCF44	VCF44			VCF44	VCF44			VCF44	VCF44			VCF44	VCF44	
		VCZ4424	VCZ4424			VCZ4424	VCZ4424			VCZ4424	VCZ4424			VCZ4424	VCZ4424	
Additional coil "BV"	VCF44				VCF44				VCF44				VCF44			
	VCZ4424				VCZ4424				VCZ4424				VCZ4424			

	900	901	950	1000	1001
Main coil	VCZ43	VCZ43	VCZ43	VCZ43	VCZ43
	VCZ4324	VCZ4324	VCZ4324	VCZ4324	VCZ4324
Secondary coil		VCF45			VCF45
		VCZ4524			VCZ4524
Additional coil "BV"	VCF45			VCF45	
	VCZ4524			VCZ4524	

### 2 way valve kit

	100	101	102	150	200	201	202	250	300	301	302	350	400	401	402	450
Main coil	VCZD1	VCZD1	VCZD1	VCZD1	VCZD1	VCZD1	VCZD1	VCZD1	VCZD2	VCZD2	VCZD2	VCZD2	VCZD2	VCZD2	VCZD2	VCZD2
	VCZD124	VCZD124	VCZD124	VCZD124	VCZD124	VCZD124	VCZD124	VCZD124	VCZD224	VCZD224	VCZD224	VCZD224	VCZD224	VCZD224	VCZD224	VCZD224
Secondary coil		VCFD4	VCFD4			VCFD4	VCFD4			VCFD4	VCFD4			VCFD4	VCFD4	
		VCZD424	VCZD424			VCZD424	VCZD424			VCZD424	VCZD424			VCZD424	VCZD424	
Additional coil "BV"	VCFD4				VCFD4				VCFD4				VCFD4			
	VCZD424				VCZD424				VCZD424				VCZD424			

	500	501	502	550	600	601	602	650	700	701	702	750	800	801	802	850
Main coil	VCZD2	VCZD2	VCZD2	VCZD2	VCZD2	VCZD2	VCZD2	VCZD2	VCZD2	VCZD2	VCZD2	VCZD2	VCZD2	VCZD2	VCZD2	VCZD2
	VCZD224	VCZD224	VCZD224	VCZD224	VCZD224	VCZD224	VCZD224	VCZD224	VCZD224	VCZD224	VCZD224	VCZD224	VCZD224	VCZD224	VCZD224	VCZD224
Secondary coil		VCFD4	VCFD4			VCFD4	VCFD4			VCFD4	VCFD4			VCFD4	VCFD4	
		VCZD424	VCZD424			VCZD424	VCZD424			VCZD424	VCZD424			VCZD424	VCZD424	
Additional coil "BV"	VCFD4				VCFD4				VCFD4				VCFD4			
	VCZD424				VCZD424				VCZD424				VCZD424			

	900	901	950	1000	1001
Main coil	VCZD3	VCZD3	VCZD3	VCZD3	VCZD3
	VCZD324	VCZD324	VCZD324	VCZD324	VCZD324
Secondary coil		VCFD4			VCFD4
		VCZD424			VCZD424
Additional coil "BV"	VCFD4			VCFD4	
	VCZD424			VCZD424	

### Valve Kit for 4 pipe systems - Requires a thermostat with valve management

Model	Ver	100	101	102	150	200	201	202	250
VCZ1X4L (1)	AF,AS,U,UA,UF	*			*	*			*
VCZ1X4R (1)	AF,AS,U,UA,UF	*			*	*			*

Model	Ver	300	301	302	350	400	401	402	450
VCZ2X4L (1)	AF,AS,U,UA,UF	*			*	*			*

Model	Ver	300	301	302	350	400	401	402	450
VCZ2X4R (1)	AF,AS,U,UA,UF	.			.	.			.
Model	Ver	500	501	502	550	600	601	602	650
VCZ2X4L (1)	AF,UF	.			.				
	AS,U,UA	.			.	.			.
VCZ2X4R (1)	AF,UF	.			.	.			
	AS,U,UA	.			.	.			.
Model	Ver	700	701	702	750	800	801	802	850
VCZ2X4L (1)	AS,U,UA	.			.	.			.
VCZ2X4R (1)	AS,U,UA	.			.	.			.
Model	Ver	900	901	950	1000	1001			
VCZ3X4L (1)	AF,AS,U,UA,UF	.		.	.				
VCZ3X4R (1)	AF,AS,U,UA,UF	.		.	.				

(1) The valves can be combined with the units if there is a control panel for managing them.

### Combined Adjustment and Balancing Valve Kit

Model	Ver	100	101	102	150	200	201	202	250
VJP060 (1)	ACT,APC	.			.	.			.
	AS,U,UA	.	.	.	.	.	.	.	.
VJP060M (2)	ACT,APC	.			.	.			.
	AS,U,UA	.	.	.	.	.	.	.	.
Model	Ver	300	301	302	350	400	401	402	450
VJP060 (1)	ACT,APC	.			.				.
	AS,U,UA	.	.	.	.	.			.
VJP060M (2)	ACT,APC	.			.				.
	AS,U,UA	.	.	.	.	.			.
VJP090 (1)	ACT,APC					.			.
	AS,U,UA					.	.	.	.
VJP090M (2)	ACT,APC					.			.
	AS,U,UA					.	.	.	.
Model	Ver	500	501	502	550	600	601	602	650
VJP090 (1)	ACT,APC	.			.	.			.
	AS,U,UA	.	.	.	.	.	.	.	.
VJP090M (2)	ACT,APC	.			.	.			.
	AS,U,UA	.	.	.	.	.	.	.	.
VJP150 (1)	ACT,APC					.			.
	AS,U,UA					.	.	.	.
VJP150M (2)	ACT,APC					.			.
	AS,U,UA					.	.	.	.
Model	Ver	700	701	702	750	800	801	802	850
VJP150 (1)	ACT,APC				.				.
	AS,U,UA		.	.	.	.	.	.	.
VJP150M (2)	ACT,APC				.				.
	AS,U,UA		.	.	.	.	.	.	.
Model	Ver	900	901	950	1000	1001			
VJP150 (1)	ACT,APC			.	.	.			
	AS,U,UA			.	.	.	.	.	.
VJP150M (2)	ACT,APC			.	.	.	.	.	.
	AS,U,UA			.	.	.	.	.	.

(1) 230V~50Hz

(2) 24V

Model	Ver	100	101	102	150	200	201	202	250
VDP15HF (1)	A,AS,U,UA	.	.	.	.	.	.	.	.
	ACT,AF,APC,UF	.			.	.			.
VDP15HF24 (1)	A,AS,U,UA	.	.	.	.	.	.	.	.
	ACT,AF,APC,UF	.			.	.			.
VDP15HFM (1)	A,AS,U,UA	.	.	.	.	.	.	.	.
	ACT,AF,APC,UF	.			.	.			.
Model	Ver	300	301	302	350	400	401	402	450
VDP15HF (1)	A,AS,U,UA	.	.	.	.	.	.	.	.
	ACT,AF,APC,UF	.			.	.			.
VDP15HF24 (1)	A,AS,U,UA	.	.	.	.	.	.	.	.
	ACT,AF,APC,UF	.			.	.			.
VDP15HFM (1)	A,AS,U,UA	.	.	.	.	.	.	.	.
	ACT,AF,APC,UF	.			.	.			.



Model	Ver	500	501	502	550	600	601	602	650
VDP15HF (1)	A,AS,U,UA	.	.	.	.	.	.	.	.
	ACT,APC	.	.	.	.	.	.	.	.
	AF,UF	.	.	.	.	.	.	.	.
VDP15HF24 (1)	A,AS,U,UA	.	.	.	.	.	.	.	.
	ACT,APC	.	.	.	.	.	.	.	.
	AF,UF	.	.	.	.	.	.	.	.
VDP15HFM (1)	A,AS,U,UA	.	.	.	.	.	.	.	.
	ACT,APC	.	.	.	.	.	.	.	.
	AF,UF	.	.	.	.	.	.	.	.

Model	Ver	700	701	702	750	800	801	802	850
VDP15HF (1)	A,AS,U,UA	.	.	.	.	.	.	.	.
	ACT,APC	.	.	.	.	.	.	.	.
	AF,UF	.	.	.	.	.	.	.	.
VDP15HF24 (1)	A,AS,U,UA	.	.	.	.	.	.	.	.
	ACT,APC	.	.	.	.	.	.	.	.
	AF,UF	.	.	.	.	.	.	.	.
VDP15HFM (1)	A,AS,U,UA	.	.	.	.	.	.	.	.
	ACT,APC	.	.	.	.	.	.	.	.
	AF,UF	.	.	.	.	.	.	.	.

Model	Ver	900	901	950	1000	1001
VDP15HF (1)	A,AS,U,UA	.	.	.	.	.
	ACT,AF,APC,UF	.	.	.	.	.
VDP15HF24 (1)	A,AS,U,UA	.	.	.	.	.
	ACT,AF,APC,UF	.	.	.	.	.
VDP15HFM (1)	A,AS,U,UA	.	.	.	.	.
	ACT,AF,APC,UF	.	.	.	.	.

(1) The compatibility of the valves with the unit must be checked using the project capacity.

### (Heating only) additional coil

#### Heating only additional coil

Model	Ver	100	101	102	150	200	201	202	250
BV117 (1)	A,AF,AS,U,UA,UF	.	.	.	.	.	.	.	.
BV122 (1)	A,AF,AS,U,UA,UF	.	.	.	.	.	.	.	.

Model	Ver	300	301	302	350	400	401	402	450
BV132 (1)	A,AF,AS,U,UA,UF	.	.	.	.	.	.	.	.
BV142 (1)	A,AF,AS,U,UA,UF	.	.	.	.	.	.	.	.

Model	Ver	500	501	502	550	600	601	602	650
BV142 (1)	A,AF,AS,U,UA,UF	.	.	.	.	.	.	.	.
BVZ800 (1)	A,AS,U,UA	.	.	.	.	.	.	.	.

Model	Ver	700	701	702	750	800	801	802	850
BVZ800 (1)	A,AS,U,UA	.	.	.	.	.	.	.	.

Model	Ver	900	901	950	1000	1001
BV162 (1)	A,AF,AS,U,UA,UF	.	.	.	.	.

(1) Not available for sizes with oversized main coil.

#### Electric coil - Requires a thermostat with heater management. Not available for sizes with an oversized main coil.

Model	Ver	100	101	102	150	200	201	202	250
RX17 (1)	AF,AS,U,UA,UF	.	.	.	.	.	.	.	.
RX22 (1)	AF,AS,U,UA,UF	.	.	.	.	.	.	.	.

Model	Ver	300	301	302	350	400	401	402	450
RX32 (1)	AF,AS,U,UA,UF	.	.	.	.	.	.	.	.
RX42 (1)	AF,AS,U,UA,UF	.	.	.	.	.	.	.	.

Model	Ver	500	501	502	550	600	601	602	650
RX52 (1)	AF,AS,U,UA,UF	.	.	.	.	.	.	.	.
RXZ800 (1)	AS,U,UA	.	.	.	.	.	.	.	.

Model	Ver	700	701	702	750	800	801	802	850
RXZ800 (1)	AS,U,UA	.	.	.	.	.	.	.	.

Model	Ver	900	901	950	1000	1001
RX62 (1)	AF,AS,U,UA,UF	.	.	.	.	.

(1) Requires a thermostat with heater management. Not available for sizes with an oversized main coil.

### Installation accessories

#### Wall mounting kit

Ver	100	101	102	150	200	201	202	250
U,UA	AMP20	AMP20	AMP20	AMP20	AMP20	AMP20	AMP20	AMP20
UF	AMP20	-	-	AMP20	AMP20	-	-	AMP20

The accessory cannot be fitted on the configurations indicated with -

Ver	300	301	302	350	400	401	402	450
U,UA	AMP20	AMP20	AMP20	AMP20	AMP20	AMP20	AMP20	AMP20

Ver	300	301	302	350	400	401	402	450
UF	AMP20	-	-	AMP20	AMP20	-	-	AMP20

The accessory cannot be fitted on the configurations indicated with -

Ver	500	501	502	550	600	601	602	650
U,UA	AMP20	AMP20	AMP20	AMP20	AMPZ	AMPZ	AMPZ	AMPZ
UF	AMP20	-	-	AMP20	-	-	-	-

The accessory cannot be fitted on the configurations indicated with -

Ver	700	701	702	750	800	801	802	850
U,UA	AMPZ	AMPZ	AMPZ	AMPZ	AMPZ	AMPZ	AMPZ	AMPZ

Ver	900	901	950	1000	1001
U,UA	AMPZ	AMPZ	AMPZ	AMPZ	AMPZ

### Condensate recirculation device

Model	Ver	100	101	102	150	200	201	202	250
DSCZ4 (1)	A,AS,U,UA	.	.	.	.	.	.	.	.
	ACT,APC	.	.	.	.	.	.	.	.

Model	Ver	300	301	302	350	400	401	402	450
DSCZ4 (1)	A,AS,U,UA	.	.	.	.	.	.	.	.
	ACT,APC	.	.	.	.	.	.	.	.

Model	Ver	500	501	502	550	600	601	602	650
DSCZ4 (1)	A,AS,U,UA	.	.	.	.	.	.	.	.
	ACT,APC	.	.	.	.	.	.	.	.

Model	Ver	700	701	702	750	800	801	802	850
DSCZ4 (1)	A,AS,U,UA	.	.	.	.	.	.	.	.
	ACT,APC	.	.	.	.	.	.	.	.

Model	Ver	900	901	950	1000	1001
DSCZ4 (1)	A,AS,U,UA	.	.	.	.	.
	ACT,APC	.	.	.	.	.

(1) DSC4 cannot be mounted if even just one of these accessories is also installed: AMP - AMPZ valve VCZ1-2-3-4 X4L/R and all the condensate collection trays.

### Condensate drip

Model	Ver	100	101	102	150	200	201	202	250
BCZ4 (1)	A,AS,U,UA	.	.	.	.	.	.	.	.
	ACT,APC	.	.	.	.	.	.	.	.

Model	Ver	100	101	102	150	200	201	202	250
BCZ5 (2)	A,AS,U,UA	.	.	.	.	.	.	.	.
	ACT,APC	.	.	.	.	.	.	.	.

Model	Ver	300	301	302	350	400	401	402	450
BCZ4 (1)	A,AS,U,UA	.	.	.	.	.	.	.	.
	ACT,APC	.	.	.	.	.	.	.	.

Model	Ver	300	301	302	350	400	401	402	450
BCZ5 (2)	A,AS,U,UA	.	.	.	.	.	.	.	.
	ACT,APC	.	.	.	.	.	.	.	.

Model	Ver	500	501	502	550	600	601	602	650
BCZ4 (1)	A,AS,U,UA	.	.	.	.	.	.	.	.
	ACT,APC	.	.	.	.	.	.	.	.

Model	Ver	500	501	502	550	600	601	602	650
BCZ5 (2)	A,AS,U,UA	.	.	.	.	.	.	.	.
	ACT,APC	.	.	.	.	.	.	.	.

Model	Ver	700	701	702	750	800	801	802	850
BCZ4 (1)	A,AS,U,UA	.	.	.	.	.	.	.	.
	ACT,APC	.	.	.	.	.	.	.	.

Model	Ver	700	701	702	750	800	801	802	850
BCZ5 (2)	A,AS,U,UA	.	.	.	.	.	.	.	.
	ACT,APC	.	.	.	.	.	.	.	.

Model	Ver	900	901	950	1000	1001
BCZ4 (1)	A,AS,U,UA	.	.	.	.	.
	ACT,APC	.	.	.	.	.

Model	Ver	900	901	950	1000	1001
BCZ6 (2)	A,AS,U,UA	.	.	.	.	.
	ACT,APC	.	.	.	.	.

(1) For vertical installation.

(2) For horizontal installation.

### Panel closing the rear of the unit

Model	Ver	100	101	102	150	200	201	202	250
PCZ100	A,AS,U,UA	.	.	.	.	.	.	.	.
	ACT,APC	.	.	.	.	.	.	.	.

Model	Ver	100	101	102	150	200	201	202	250
PCZ200	A,AS,U,UA	.	.	.	.	.	.	.	.
	ACT,APC	.	.	.	.	.	.	.	.

Model	Ver	300	301	302	350	400	401	402	450
PCZ300	A,AS,U,UA	.	.	.	.				
	ACT,APC	.			.				
PCZ500	A,AS,U,UA					.	.	.	.
	ACT,APC					.			.
Model	Ver	500	501	502	550	600	601	602	650
PCZ500	A,AS,U,UA	.	.	.	.				
	ACT,APC	.			.				
PCZ800	A,AS,U,UA					.	.	.	.
	ACT,APC					.			.
Model	Ver	700	701	702	750	800	801	802	850
PCZ800	A,AS,U,UA	.	.	.	.	.	.	.	.
	ACT,APC	.			.	.			.
Model	Ver	900	901	950	1000	1001			
PCZ1000	A,AS,U,UA	.	.	.	.	.	.	.	.
	ACT,APC	.			.	.			.

**Lower intake grille**

Model	Ver	100	101	102	150	200	201	202	250
GA100	U,UA	.	.	.	.				
GA200	U,UA					.	.	.	.
Model	Ver	300	301	302	350	400	401	402	450
GA300	U,UA	.	.	.	.				
GA500	U,UA					.	.	.	.
Model	Ver	500	501	502	550	600	601	602	650
GA500	U,UA	.	.	.	.				
GA800	U,UA					.	.	.	.
Model	Ver	700	701	702	750	800	801	802	850
GA800	U,UA	.	.	.	.	.	.	.	.
Model	Ver	900	901	950	1000	1001			
GA800	U,UA	.	.	.	.	.	.	.	.

**Supports to be combined with the ornamental grille (GA) for floor installation of the fan coil**

Model	Ver	100	101	102	150	200	201	202	250
FIKIT100	A,AS,U,UA	.	.	.	.				
	ACT,AF,APC,UF	.			.				
FIKIT200	A,AS,U,UA					.	.	.	.
	ACT,AF,APC,UF					.			.
Model	Ver	300	301	302	350	400	401	402	450
FIKIT300	A,AS,U,UA	.	.	.	.				
	ACT,AF,APC,UF	.			.				
FIKIT500	A,AS,U,UA					.	.	.	.
	ACT,AF,APC,UF					.			.
Model	Ver	500	501	502	550	600	601	602	650
FIKIT500	A,AS,U,UA	.	.	.	.				
	ACT,AF,APC,UF	.			.				
FIKIT800	A,AS,U,UA					.	.	.	.
	ACT,APC					.			.
Model	Ver	700	701	702	750	800	801	802	850
FIKIT800	ACT,APC	.	.	.	.	.	.	.	.
	U,UA	.	.	.	.	.	.	.	.
Model	Ver	900	901	950	1000	1001			
FIKIT800	A,AS,U,UA	.	.	.	.	.	.	.	.
	ACT,AF,APC,UF	.			.	.			.

**Pair of stylish structural feet**

Model	Ver	100	101	102	150	200	201	202	250
ZXZ	A,AS,U,UA	.	.	.	.	.	.	.	.
	ACT,APC	.			.	.			.
Model	Ver	300	301	302	350	400	401	402	450
ZXZ	A,AS,U,UA	.	.	.	.	.	.	.	.
	ACT,APC	.			.	.			.
Model	Ver	500	501	502	550	600	601	602	650
ZXZ	A,AS,U,UA	.	.	.	.	.	.	.	.
	ACT,APC	.			.	.			.

Model	Ver	700	701	702	750	800	801	802	850
ZXZ	A,AS,U,UA	.	.	.	.	.	.	.	.
	ACT,APC	.	.	.	.	.	.	.	.

Model	Ver	900	901	950	1000	1001
ZXZ	A,AS,U,UA	.	.	.	.	.
	ACT,APC	.	.	.	.	.

## PERFORMANCE SPECIFICATIONS

### 2-pipe

	FCZ100			FCZ150			FCZ200			FCZ250			FCZ300			FCZ350			FCZ400			FCZ450			FCZ500			FCZ550								
	1	2	3	1	2	3	1	2	3	1	2	3	1	2	3	1	2	3	1	2	3	1	2	3	1	2	3	1	2	3						
Heating performance 70 °C / 60 °C (1)																																				
Heating capacity	kW			1,45	2,00	2,40	1,55	2,19	2,65	2,02	2,95	3,70	2,20	3,18	4,05	3,47	4,46	5,50	3,77	4,92	6,15	4,32	5,74	7,15	4,57	6,29	7,82	5,27	7,31	8,50	5,82	8,34	9,75			
Water flow rate system side	l/h			125	172	206	136	192	232	177	258	324	193	278	355	304	391	482	330	431	539	379	503	627	400	551	685	462	641	745	510	731	855			
Pressure drop system side	kPa			4	7	9	5	9	12	6	12	18	7	15	23	7	12	18	8	14	20	9	16	24	6	11	16	12	21	28	10	20	26			
Heating performance 45 °C / 40 °C (2)																																				
Heating capacity	kW			0,72	0,99	1,19	0,77	1,09	1,31	1,00	1,46	1,84	1,09	1,58	2,01	1,72	2,21	2,73	1,87	2,44	3,06	2,14	2,85	3,55	2,27	3,12	3,88	2,62	3,63	4,22	2,89	4,14	4,85			
Water flow rate system side	l/h			126	173	207	134	189	229	174	254	319	190	274	350	299	385	475	325	425	531	373	495	617	394	543	675	455	631	734	502	720	842			
Pressure drop system side	kPa			4	7	10	5	9	12	6	12	18	8	15	22	8	12	18	8	14	20	10	16	24	6	11	16	12	21	28	10	20	26			
Cooling performance 7 °C / 12 °C (3)																																				
Cooling capacity	kW			0,65	0,84	1,00	0,80	1,06	1,27	0,89	1,28	1,60	1,06	1,55	1,94	1,68	2,17	2,65	1,89	2,46	3,02	2,20	2,92	3,60	2,41	3,21	4,03	2,68	3,69	4,25	2,91	4,13	4,79			
Sensible cooling capacity	kW			0,51	0,69	0,83	0,57	0,80	0,97	0,71	1,05	1,33	0,79	1,20	1,52	1,26	1,65	2,04	1,33	1,76	2,18	1,59	2,14	2,67	1,69	2,30	2,90	1,94	2,73	3,18	2,07	2,98	3,49			
Water flow rate system side	l/h			112	144	172	138	182	219	153	221	275	182	267	334	288	374	456	350	460	560	379	503	619	414	552	694	460	634	731	501	711	824			
Pressure drop system side	kPa			4	6	8	6	12	13	6	12	18	8	17	25	8	13	18	11	18	25	10	16	24	9	15	22	13	22	29	12	22	28			
Fan																																				
Type	Centrifugal																																			
Fan motor	Asynchronous																																			
Number	no.			1	1	1	1	1	1	2	2	2	2	2	2	2	2	2	2	2	2	2	2	2	2	2	2	2	2	2						
Air flow rate	m <sup>3</sup> /h			110	160	200	110	160	200	140	220	290	140	220	290	260	350	450	260	350	450	330	460	600	330	460	600	400	600	720	400	600	720			
Input power	W			19	29	35	19	29	35	25	29	33	25	29	33	25	33	44	25	33	44	30	43	57	30	43	57	38	52	76	38	52	76			
Electrical wiring				V1	V2	V3	V1	V2	V3	V1	V2	V3	V1	V2	V3	V1	V2	V3	V1	V2	V3	V1	V2	V3	V1	V2	V3	V1	V2	V3	V1	V2	V3	V1	V2	V3
Fan coil sound data (4)																																				
Sound power level	dB(A)			31,0	38,0	45,0	31,0	38,0	45,0	35,0	46,0	51,0	35,0	46,0	51,0	34,0	41,0	48,0	34,0	41,0	48,0	37,0	44,0	51,0	37,0	44,0	51,0	42,0	51,0	56,0	42,0	51,0	56,0			
Sound pressure	dB(A)			23,0	30,0	37,0	23,0	30,0	37,0	27,0	38,0	43,0	27,0	38,0	43,0	26,0	33,0	40,0	26,0	33,0	40,0	29,0	36,0	43,0	29,0	36,0	43,0	34,0	43,0	48,0	34,0	43,0	48,0			
Diameter hydraulic fittings																																				
Main coil	Ø			1/2"	1/2"	1/2"	1/2"	1/2"	1/2"	1/2"	1/2"	1/2"	3/4"	3/4"	3/4"	3/4"	3/4"	3/4"	3/4"	3/4"	3/4"	3/4"	3/4"	3/4"	3/4"	3/4"	3/4"	3/4"	3/4"	3/4"	3/4"	3/4"	3/4"			
Power supply																																				
Power supply	230V~50Hz																																			

	FCZ600			FCZ650			FCZ700			FCZ750			FCZ800			FCZ850			FCZ900			FCZ950			FCZ1000								
	1	2	3	1	2	3	1	2	3	1	2	3	1	2	3	1	2	3	1	2	3	1	2	3	1	2	3	1	2	3			
	L	M	H	L	M	H	L	M	H	L	M	H	L	M	H	L	M	H	L	M	H	L	M	H	L	M	H	L	M	H	L	M	H
Heating performance 70 °C / 60 °C (1)																																	
Heating capacity	kW			6,50	8,10	10,00	7,19	9,15	11,50	8,10	9,80	11,00	9,10	11,30	12,50	9,80	10,80	12,00	11,30	12,35	14,00	10,77	13,35	15,14	11,20	14,42	17,10	12,53	15,24	17,02			
Water flow rate system side	l/h			570	710	877	631	802	1008	710	860	964	798	991	1096	859	947	1052	991	1083	1227	945	1171	1328	982	1264	1500	1101	1337	1493			
Pressure drop system side	kPa			12	18	26	14	21	31	17	24	29	10	15	18	22	27	32	17	20	25	12	17	22	16	24	33	22	32	38			
Heating performance 45 °C / 40 °C (2)																																	
Heating capacity	kW			3,32	4,03	4,97	3,57	4,55	5,72	4,03	4,87	5,47	4,52	5,62	6,21	4,87	5,37	5,97	5,62	6,14	6,96	5,35	6,64	7,53	5,57	7,17	8,50	6,24	7,58	8,46			
Water flow rate system side	l/h			561	699	863	621	790	993	699	846	950	786	975	1079	846	932	1036	975	1066	1209	930	1152	1307	967	1245	1476	1084	1316	1469			
Pressure drop system side	kPa			12	18	26	14	20	31	16	24	29	10	14	18	22	26	32	6	20	25	12	17	22	15	24	33	22	31	38			
Cooling performance 7 °C / 12 °C (3)																																	
Cooling capacity	kW			3,22	3,90	4,65	3,95	4,80	5,67	3,92	4,89	5,50	4,27	5,34	6,14	4,84	5,66	6,10	5,26	6,29	6,91	4,29	5,00	6,91	5,77	7,32	8,60	5,69	6,88	7,62			
Sensible cooling capacity	kW			2,56	3,17	3,92	2,78	3,43	4,12	2,99	3,76	4,30	3,20	4,05	4,72	3,72	4,42	4,83	4,00	4,83	5,36	2,97	3,78	5,68	3,80	4,87	5,78	4,42	5,34	5,53			
Water flow rate system side	l/h			554	671	800	595	825	975	675	841	946	734	918	1056	833	974	1049	904	1082	1189	738	860	1189	992	1259	1479	979	1183	1311			
Pressure drop system side	kPa			14	19	26	15	21	28	16	24	30	10	14	18	20	26	30	14	20	23	10	12	22	15	22	30	22	31	36			
Fan																																	
Type	type			Centrifugal																													
Fan motor	type			Asynchronous																													
Number	no.			3			3			3			3			3			3			3			3								
Air flow rate	m <sup>3</sup> /h			520	720	920	520	720	920	700	930	1140	700	930	1140	900	1120	1300	900	1120	1300	700	930	1140	700	930	1140	900	1120	1300			
Input power	W			38	60	91	38	60	91	59	80	106	59	80	106	80	100	131	80	100	131	59	80	106	59	80	106	80	100	131			
Electrical wiring				V1	V2	V3	V1	V2	V3	V1	V2	V3	V1	V2	V3	V1	V2	V3	V1	V2	V3	V1	V2	V3	V1	V2	V3	V1	V2	V3	V1	V2	V3
Fan coil sound data (4)																																	
Sound power level	dB(A)			42,0	51,0	57,0	42,0	51,0	57,0	50,0	57,0	62,0	50,0	57,0	62,0	56,0	61,0	66,0	56,0	61,0	66,0	51,0	57,0	62,0	51,0	57,0	62,0	56,0	61,0	66,0			
Sound pressure	dB(A)			34,0	43,0	49,0	34,0	43,0	49,0	42,0	49,0	54,0	42,0	49,0	54,0	48,0	53,0	58,0	48,0	53,0	58,0	43,0	49,0	54,0	43,0	49,0	54,0	48,0	53,0	58,0			
Diameter hydraulic fittings																																	
Main coil	Ø			3/4"																													
Power supply																																	
Power supply				230V~50Hz																													

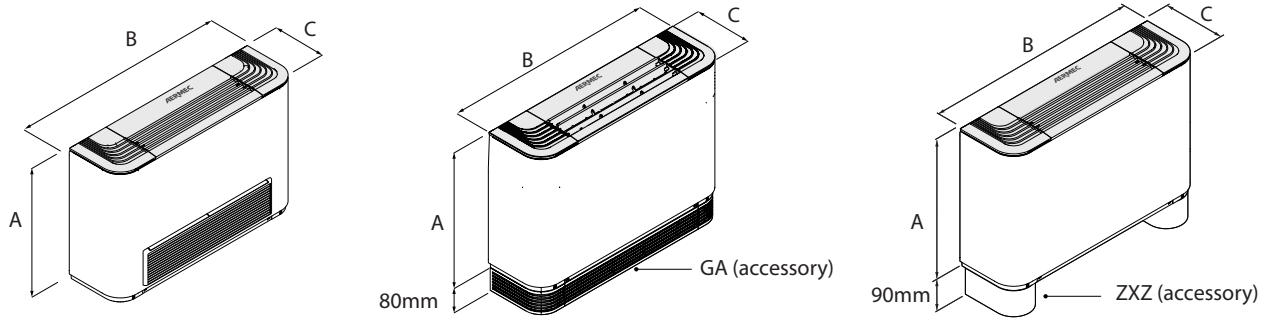
- (1) Room air temperature 20 °C d.b.; Water (in/out) 70 °C/60 °C  
(2) Room air temperature 20 °C d.b.; Water (in/out) 45 °C/40 °C; EUROVENT  
(3) Room air temperature 27 °C d.b./19 °C w.b.; Water (in/out) 7 °C/12 °C; EUROVENT  
(4) Aermec determines the sound power value on the basis of measurements taken in accordance with standard UNI EN 16583:15, respecting the Eurovent certification.

#### 4-pipe

	FCZ101			FCZ201			FCZ301			FCZ401			FCZ501			FCZ601			FCZ701			FCZ801			FCZ901			FCZ1001								
	1	2	3	1	2	3	1	2	3	1	2	3	1	2	3	1	2	3	1	2	3	1	2	3	1	2	3	1	2	3	1	2	3			
	L	M	H	L	M	H	L	M	H	L	M	H	L	M	H	L	M	H	L	M	H	L	M	H	L	M	H	L	M	H	L	M	H	L	M	H
Heating performance 65 °C / 55 °C (1)																																				
Heating capacity	kW			0,75	1,01	1,17	1,02	1,35	1,60	1,80	2,18	2,56	2,21	2,65	3,12	2,59	3,34	3,73	2,96	3,67	4,36	3,66	4,29	4,94	4,20	4,79	5,35	4,73	5,63	5,72	4,85	5,56	6,08			
Water flow rate system side	l/h			65	89	102	89	118	140	158	191	224	186	232	273	227	293	327	259	321	381	320	375	437	368	419	467	414	492	501	424	487	532			
Pressure drop system side	kPa			2	4	4	4	8	10	16	23	30	4	6	8	6	8	10	8	12	16	11	14	18	16	20	24	8	12	12	10	14	16			
Cooling performance 7 °C / 12 °C (2)																																				
Cooling capacity	kW			0,65	0,84	1,00	0,89	1,28	1,60	1,68	2,17	2,65	2,20	2,92	3,60	2,68	3,69	4,25	3,22	3,90	4,65	3,92	4,89	5,50	4,84	5,66	6,10	4,29	5,00	6,91	5,69	6,88	7,62			
Sensible cooling capacity	kW			0,51	0,69	0,83	0,71	1,05	1,33	1,26	1,65	2,04	1,59	2,14	2,67	1,94	2,73	3,18	2,56	3,17	3,92	2,99	3,76	4,30	3,72	4,42	4,83	2,97	3,78	5,68	4,42	5,34	5,53			
Water flow rate system side	l/h			112	144	172	153	221	275	288	374	456	379	503	619	460	634	731	554	671	800	675	841	946	833	974	1049	738	860	1189	979	1183	1311			
Pressure drop system side	kPa			4	6	8	6	12	18	8	13	18	10	16	24	13	22	29	14	19	26	16	24	30	20	26	30	10	12	22	22	31	36			
Fan																																				
Type	type			Centrifugal																																
Fan motor	type			Asynchronous																																
Number	no.			1			1			2			2			2			3			3			3			3			3					
Air flow rate	m <sup>3</sup> /h			110	160	200	140	220	290	260	350	450	330	460	600	400	600	720	520	720	920	700	930	1140	900	1120	1300	700	930	1140	900	1120	1300			
Input power	W			19	29	35	25	29	33	25	33	44	30	43	57	38	52	76	38	60	91	59	80	106	80	100	131	59	80	106	80	100	131			
Electrical wiring				V1	V2	V3	V1	V2	V3	V1	V2	V3	V1	V2	V3	V1	V2	V3	V1	V2	V3	V1	V2	V3	V1	V2	V3	V1	V2	V3	V1	V2	V3	V1	V2	V3
Fan coil sound data (3)																																				
Sound power level	dB(A)			31,0	38,0	45,0	35,0	46,0	51,0	34,0	41,0	48,0	37,0	44,0	51,0	42,0	51,0	56,0	42,0	51,0	57,0	50,0	57,0	62,0	56,0	61,0	66,0	51,0	57,0	62,0	56,0	61,0	66,0			
Sound pressure	dB(A)			23,0	30,0	37,0	27,0	38,0	43,0	26,0	33,0	40,0	29,0	36,0	43,0	34,0	43,0	48,0	34,0	43,0	49,0	42,0	49,0	54,0	48,0	53,0	58,0	43,0	49,0	54,0	48,0	53,0	58,0			
Diameter hydraulic fittings																																				
Main coil	Ø			1/2"			1/2"			3/4"			3/4"			3/4"			3/4"			3/4"			3/4"			3/4"			3/4"					
Secondary coil	Ø			1/2"																																
Power supply																																				
Power supply				230V~50Hz																																

- (1) Room air temperature 20 °C d.b.; Water (in/out) 65 °C/55 °C; EUROVENT  
(2) Room air temperature 27 °C d.b./19 °C w.b.; Water (in/out) 7 °C/12 °C; EUROVENT  
(3) Aermec determines the sound power value on the basis of measurements taken in accordance with standard UNI EN 16583:15, respecting the Eurovent certification.

## DIMENSIONS



		FCZ100	FCZ101	FCZ102	FCZ150	FCZ200	FCZ201	FCZ202	FCZ250	FCZ300	FCZ301	FCZ302	FCZ350	FCZ400	FCZ401	FCZ402	FCZ450
<b>Dimensions and weights</b>																	
A	mm	486	486	486	486	486	486	486	486	486	486	486	486	486	486	486	486
B	mm	640	640	640	640	750	750	750	750	980	980	980	980	1200	1200	1200	1200
C	mm	220	220	220	220	220	220	220	220	220	220	220	220	220	220	220	220
Empty weight	kq	13	14	14	14	15	15	16	16	17	18	19	19	33	23	23	24
		FCZ500	FCZ501	FCZ502	FCZ550	FCZ600	FCZ601	FCZ602	FCZ650	FCZ700	FCZ701	FCZ702	FCZ750	FCZ800	FCZ801	FCZ802	FCZ850
<b>Dimensions and weights</b>																	
A	mm	486	486	486	486	486	486	486	486	486	486	486	486	486	486	486	486
B	mm	1200	1200	1200	1200	1200	1320	1320	1320	1320	1320	1320	1320	1320	1320	1320	1320
C	mm	220	220	220	220	220	220	220	220	220	220	220	220	220	220	220	220
Empty weight	kq	24	22	23	24	24	29	31	33	29	31	33	33	29	29	31	33
		FCZ900		FCZ901		FCZ950		FCZ1000		FCZ1001							
<b>Dimensions and weights</b>																	
A	mm	591		591		591		591		591							
B	mm	1320		1320		1320		1320		1320							
C	mm	220		220		220		220		220							
Empty weight	kq	34		34		34		34		34							

Aermec si riserva la facoltà di apportare in qualsiasi momento tutte le modifiche ritenute necessarie per il miglioramento del prodotto con eventuale modifica dei relativi dati tecnici.

**Aermec S.p.A.**  
Via Roma, 996 - 37040 Bevilacqua (VR) - Italia  
Tel. 0442633111 - Telefax 044293577  
www.aermec.com

Numero Verde  
**800-843085**